

There is the national coat of arms
THE FEDERAL REPUBLIC OF YUGOSLAVIA
The Federal Ministry of Economy and Domestic Trade
THE FEDERAL BUREAU FOR INTELLECTUAL PROPERTY
Belgrade, Trg Nikole Pasica 11

MODEL CERTIFICATE

Ref. 9865

To the applicant of the application for the model recognition, **MILAN VUKADINOVIC, 32000 CACAK, PAKOVRACE VILLAGE,**

the model is recognized under the name of the **TABLE**

according to the application for the model ref. **M-85/98**, submitted on **01.07.1998**, with the priority right from **01.07.1998**.

The author of the model is **MILAN VUKADINOVIC**.

The model is entered in the models and patterns register on **24.09.2001** and is valid until **01.07.2013**, under condition that five years tax for the right maintenance is regularly paid.

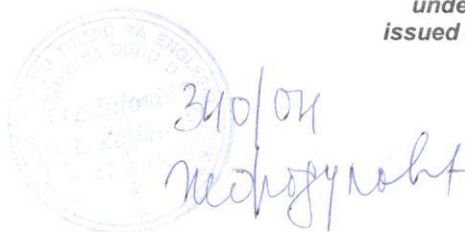
The constituent parts of this document are the model drawing and description.

This document is issued in accordance with article 30. of the Models and Patterns Law ("Official Gazette of FRY" no. 15/95), on **10.12.2001**

This document is signed by the manager.

There is a red, white and blue ribbon attached and the watermark of Federal Ministry of Economy and Domestic Trade, the Federal Bureau for Intellectual Property, Belgrade

ZELJKA D. FODULOVIC
a sworn court translator for English
under Decision no.740-06-00151/94-18 dated 02.09.1994
issued by the Ministry of Justice of the Republic of Serbia



The applicant: Milan Vukadinovic

The Table

The model table is used as a table that can be unfolded.

Emphasizing the novelties: the novelty of the model can be seen when the table is unfolded. The unfolded table is comprised of three separate parts. The second part of the table is used as an ironing board, while the third part of the table is used as a stool. The first part of the table has two openings on the working surface and legs below the working surface. The working surface of the ironing board and the seat of the stool can be fitted in the openings.

The body description: the new table shape, according to this model, is shown on the drawing where:

fig.1 – shows axonometric view of the first part of the table

fig.2 – shows axonometric view of the second part of the table

fig.3 – shows axonometric view of the third part of the table

fig.4 – shows axonometric view of the folded table

The first part of the table, as in fig.1, has two openings (01) and (02) on the working surface (1). The working surface (1) is of round horizontal section, its thickness being two to four centimeters. The opening (01) is made by cutting out the two layers (3) and (4). The layer (4) is cut from the top of the working surface (1) to the half of its depth. The layer (3) is cut from the half of the working surface depth (1) to its bottom. The both layers (3) and (4) are bordered by a line which consists of three sides of a rectangle and a curve. The curve is identical to a half of an ellipse and it connects the ends of the sides of the rectangle. The layer (3) is narrower than the layer (4).

The opening (02) is made by cutting out two layers (5) and (6) from the working surface (1). The both layers (5) and (6) are bordered by a line which consists of a semi-circle and a straight line connecting the starting point and the end point of the semi-circle. The layer (5) is cut up to the top of the working surface (1) to the half of its depth. The layer (6) is cut from the half of the working surface (1) depth to its bottom. The layer (6) is narrower than the layer (5).

The layers (3) and (4) are shown in fig.2 which shows axonometric view of the second part of the table that can be used as an ironing board, with legs (2). The layer (3) is leaned by its whole surface against the layer (4). The layer (3) edges are on the same distance from the layer (4) edges.

The layers (5) and (6) are shown in fig.3, which shows axonometric view of the third part of the table that can be used as a stool, with legs (2). The layer (6) is leaned by its whole surface against the layer (5). The layer (6) edges are on the same distance from the layer (5) edges.

ZELJKA D. FODULOVIC
a sworn court translator for English
under Decision no.740-06-00151/94-18 dated 02.09.1994
issued by the Ministry of Justice of the Republic of Serbia



The arrangement of the legs (2), in the shape of cylindrical sticks, is arbitrary.

The fig.4 shows axonometric view of the folded table. On the working surface (1) the lines bordering the layers (4) and (5) can be seen .

There is the signature of the applicant.

No.340/04, Cacak 25/11/2004

I hereby certify that this is a true translation into English of the original document written in Serbian.

ZELJKA D. FODULOVIC



ZELJKA D. FODULOVIC
a sworn court translator for English
under Decision no.740-06-00151/94-18 dated 02.09.1994
issued by the Ministry of Justice of the Republic of Serbia

Један примерак нумерисаног приказа (фотографије или исцрта) у кућица, а други примерак (нумерисана на полеђини) доставити у прилогу. Фотографија за исцрт не сме бити већа од 16 cm, нити сме прелазити спољни оквир кућица

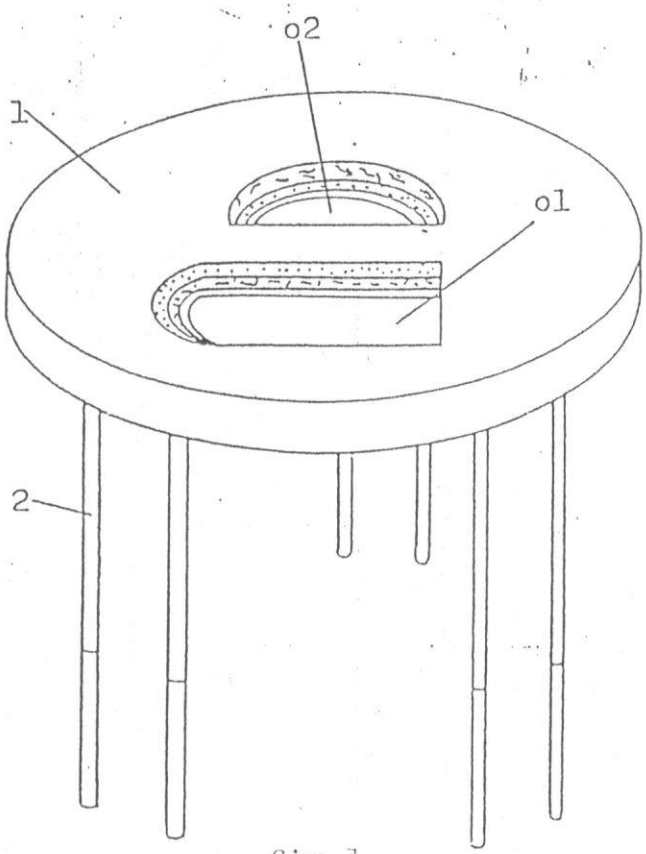


fig. 1

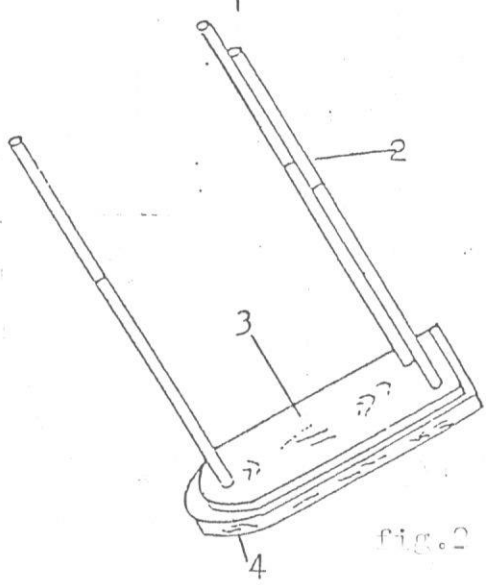


fig. 2

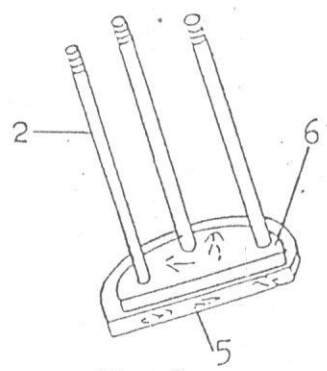


fig. 3

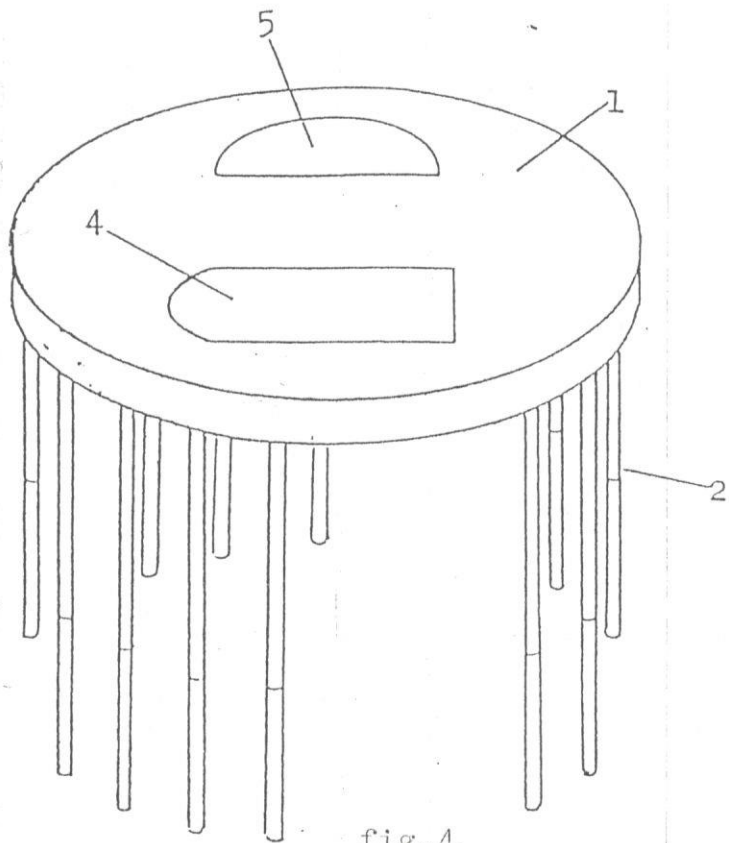


fig.4