

There is the national coat of arms

THE FEDERAL REPUBLIC OF YUGOSLAVIA
THE FEDERAL MINISTRY OF ECONOMY AND DOMESTIC TRADE
THE FEDERAL BUREAU FOR INTELLECTUAL PROPERTY

Ref: M-2/00/5

Date: 24.10.2001

Belgrade

4/2-2

According to article 6. and 29. of Models and Patterns Law ("Official Gazette of FRY", no. 15/95) and after the reviewing process of the Application for the model recognition has been performed, the Federal Bureau for Intellectual Property hereby issues the following

DECISION

We hereby recognize the model under the application for the model recognition ref. M-2/00 submitted on 18.01.2000 by Milan Vukadinovic, Pakovrace village, 32000 Cacak, with priority right from 18.01.2000, as the date of submitted application, and according to the protected design and description as in the attachment to this Decision, it has been entered in the Model Register under ref. 9885.

Explanation

Reviewing the above mentioned application for the model recognition, the Federal Bureau for Intellectual Property has decided that the application meets the conditions for the model recognition stipulated by the Models and Patterns Law and made the conclusion by asking the applicant to pay the tax for obtaining the model and its first five years protection and all the costs of the model publishing in the Herald of intellectual property.

The applicant has paid the publishing costs and tax for obtaining the model and its first five years protection and submitted to the Bureau the payment evidence.

The article 29. of the Models and Patterns Law stipulates that, after the applicant has submitted the evidence that he paid the tax for obtaining the model and its first five years protection and the model publishing costs, the Decision on model recognition will be made and the recognized right will be entered in the Model Register.

In compliance with all stated, the above mentioned decision has been made.

This Decision is final and the administrative dispute can be lodged by the legal action directly to the Federal Court, within 30 days from the date of receiving this Decision.

To be submitted to:

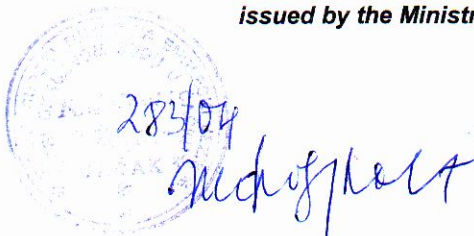
- the applicant - Milan Vukadinovic, Pakovrace village, 32000 Cacak,
- Notary Office of the Bureau

Enclosure: a photography with the description.

This document is signed by the assistant manager Branka Totic, graduated lawyer and verified by the seal of the Federal Ministry of Economy and Domestic Trade, the Federal Bureau for Intellectual Property, Belgrade

The applicant: Milan Vukadinovic

ZELJKA D. FODULOVIC
a sworn court translator for English
under Decision no.740-06-00151/94-18 dated 02.09.1994
issued by the Ministry of Justice of the Republic of Serbia



The applicant: Milan Vukadinovic

The Pillow

The model pillow will be used for sleeping on the floor or as a pillow within the sleeping bag.

Emphasizing the novelties: the outer shape of the pillow is a novelty. The pillow has prominent two sides at which the novelty of the model can be identified. Both sides are bent in the shape of logarithmic spirals. The sides are connected by a common curve of these two logarithmic spirals. The pillow has one symmetry plane.

The body description: the new pillow shape, according to this model, is shown on the drawing where: fig.1 shows axonometric view of the pillow.

The pillow, as in figure 1, has two prominent sides (1) and (2) connected by a curve (3). The sides (1) and (2) and the curve (3) are shaped by a narrow strip, so that the strip is bent at the sides (1) and (2) in the shape of logarithmic spirals. The sides (1) and (2) are linked with a common curve (3) of logarithmic spirals. The height of the pillow at the side (2) is greater than the height of the pillow at the side (1). The curve (3) is upholstered with the layer (4) in the same shape as the common curve of logarithmic spirals.

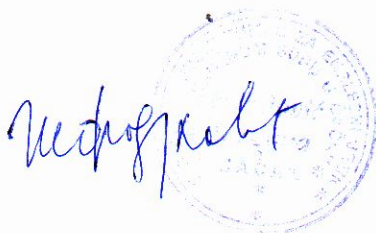
The pillow has one vertical symmetry plane which split it in half at the sides (1) and (2).

There is the signature of the applicant.

No.284/04, Cacak 26/04/2004

I hereby certify that this is a true translation into English of the original document written in Serbian.

ZELJKA D. FODULOVIC



ZELJKA D. FODULOVIC
a sworn court translator for English
under Decision no.740-06-00151/94-18 dated 02.09.1994
issued by the Ministry of Justice of the Republic of Serbia

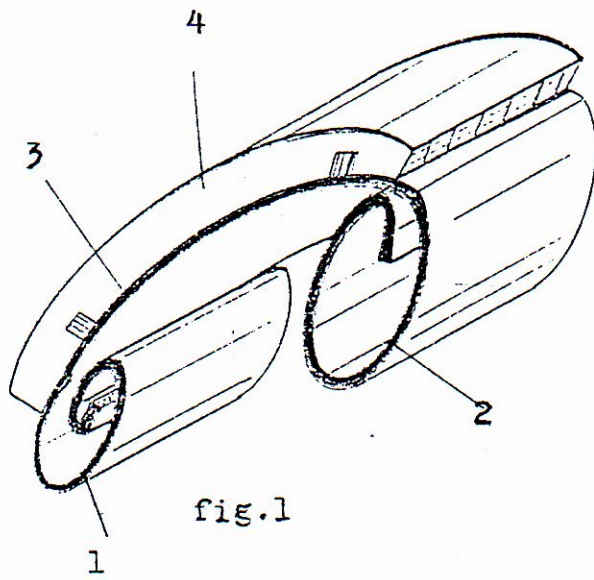


fig.1